


# Wheel 127 GKL 8

Wheels Series G


 -20 °C - +60 °C

  
swivels easily

  
wear resistant

  
shock proof

  
floor protective

  
weather proof

## Wheel

Standard rubber tyre grey

Nylon rim

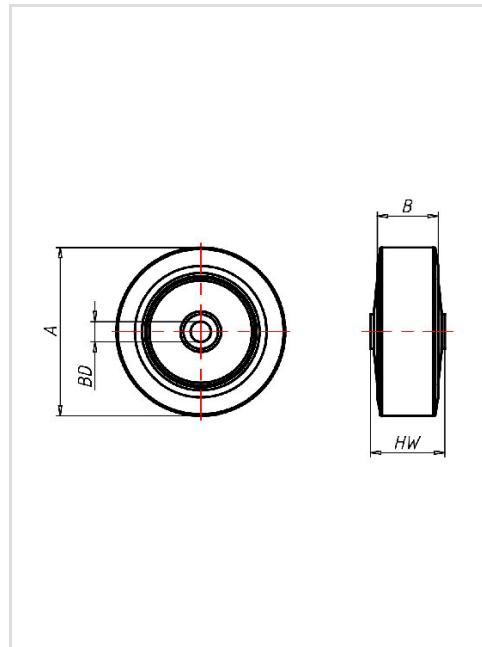
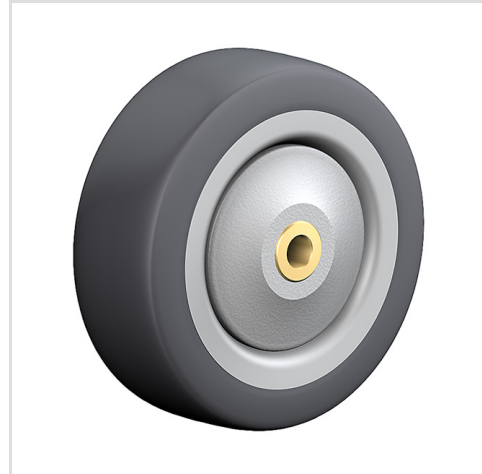
Wheel	Wheel- $\varnothing$ A x width B mm: 125x30
Load Capacity kg:	100
Load capacity tested according to EN 12530 and EN 12527	
Hub width mm:	36
Fixing length mm:	36
Wheel bearing:	2 Cone bearings
Bore diameter mm:	8

## Advantages

- ✓ non-marking - floor protective
- ✓ silent in motion
- ✓ good running performance
- ✓ resistant to diluted acids

©Copyright 2024 Rollenbau GmbH, www.rollenbau.at 21.09.2024

 ROLLENBAU



## Applications

- Bins
- Refuse bins
- Trash containers
- Refuse containers